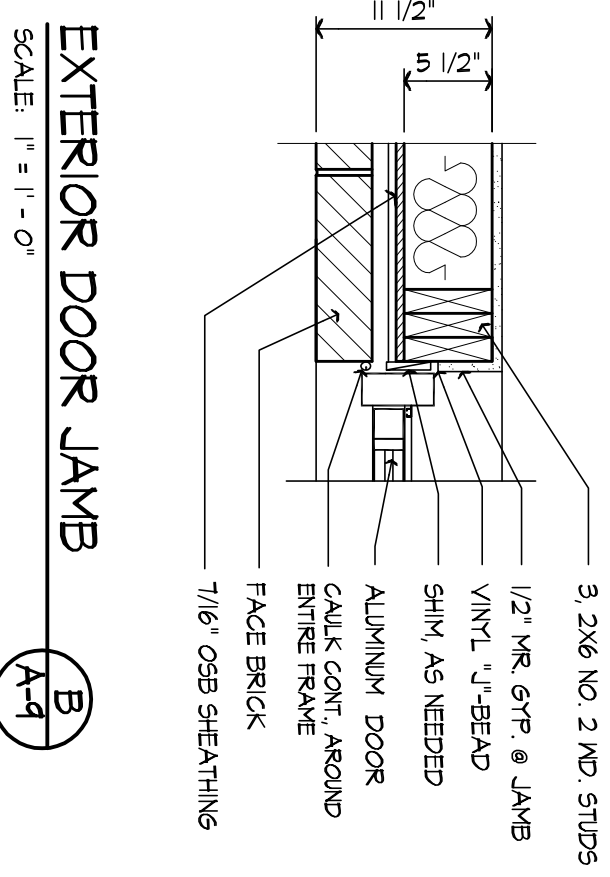
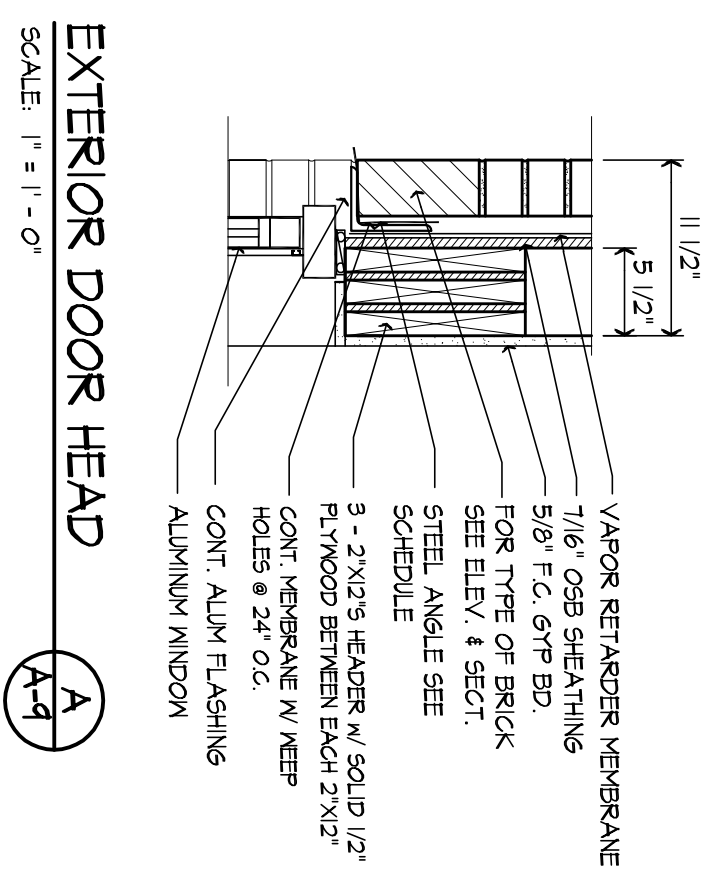


DOOR SCHEDULE										
DOOR NO.	TYPE	MATERIAL	WIDTH	HEIGHT	THICK.	FRAME TYPE	HEAD	JAMB	SILL	REMARKS
01	A	ALUM.	3'-0"	7'-0"	-----	5	A	B	C	
02	A	ALUM.	3'-0"	7'-0"	13/4"	5	A	B	C	
03	B	H.V.	3'-0"	7'-0"	13/4"	1	D	E	F	
04	C	SCM	3'-0"	7'-0"	13/4"	4	G	H	---	
05	C	SCM	3'-0"	7'-0"	13/4"	2	G	H	---	
06	D	SCM	3'-0"	7'-0"	13/4"	2	G	H	---	
07	C	SCM	3'-0"	7'-0"	13/4"	3	J	K	---	
08	C	SCM	3'-0"	7'-0"	13/4"	2	G	H	---	
09	C	SCM	3'-0"	7'-0"	13/4"	2	G	H	---	
10	D	SCM	3'-0"	7'-0"	13/4"	2	G	H	---	
11	C	SCM	3'-0"	7'-0"	13/4"	3	J	K	---	
12	D	SCM	3'-0"	7'-0"	13/4"	3	J	K	---	
13	C	SCM	3'-0"	7'-0"	13/4"	2	G	H	---	
14	C	SCM	3'-0"	7'-0"	13/4"	2	G	H	---	
15	C	SCM	3'-0"	7'-0"	13/4"	2	G	H	---	
16	C	SCM	3'-0"	7'-0"	13/4"	2	G	H	---	
17	D	SCM	3'-0"	7'-0"	13/4"	2	G	H	---	
18	C	SCM	3'-0"	7'-0"	13/4"	3	J	K	---	
19	C	SCM	3'-0"	7'-0"	13/4"	3	J	K	---	
20	C	SCM	3'-0"	7'-0"	13/4"	2	G	H	---	
21	C	SCM	3'-0"	7'-0"	13/4"	3	J	K	---	
22	C	SCM	3'-0"	7'-0"	13/4"	2	G	H	---	
23	C	SCM	3'-0"	7'-0"	13/4"	2	G	H	---	

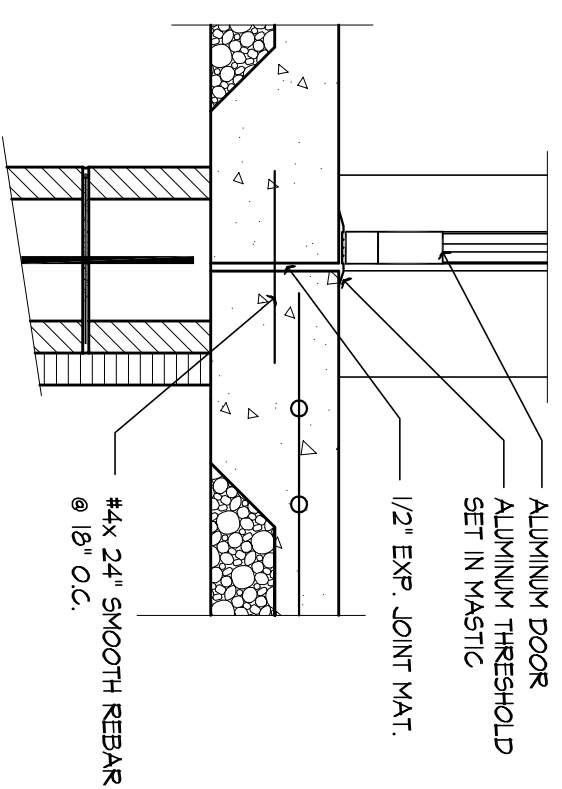
SEE SPEC. SECTION 0810 FOR HARDWARE SETS



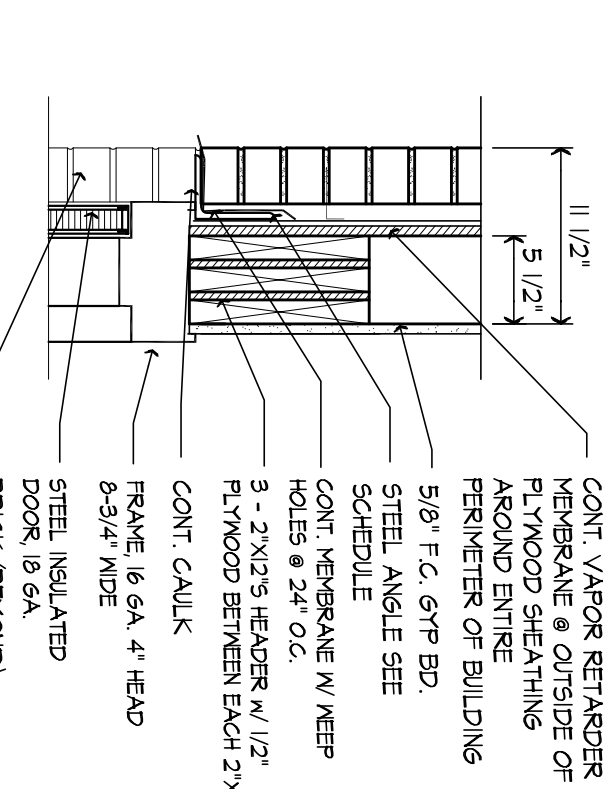
EXTERIOR DOOR JAMB
SCALE: 1" = 1'-0"



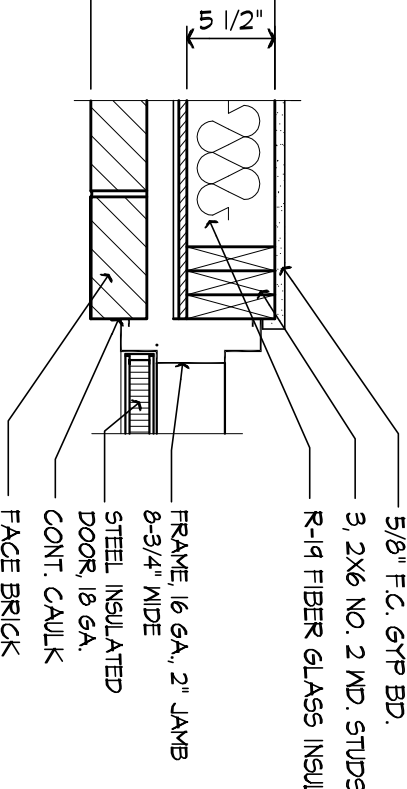
EXTERIOR DOOR HEAD
SCALE: 1" = 1'-0"



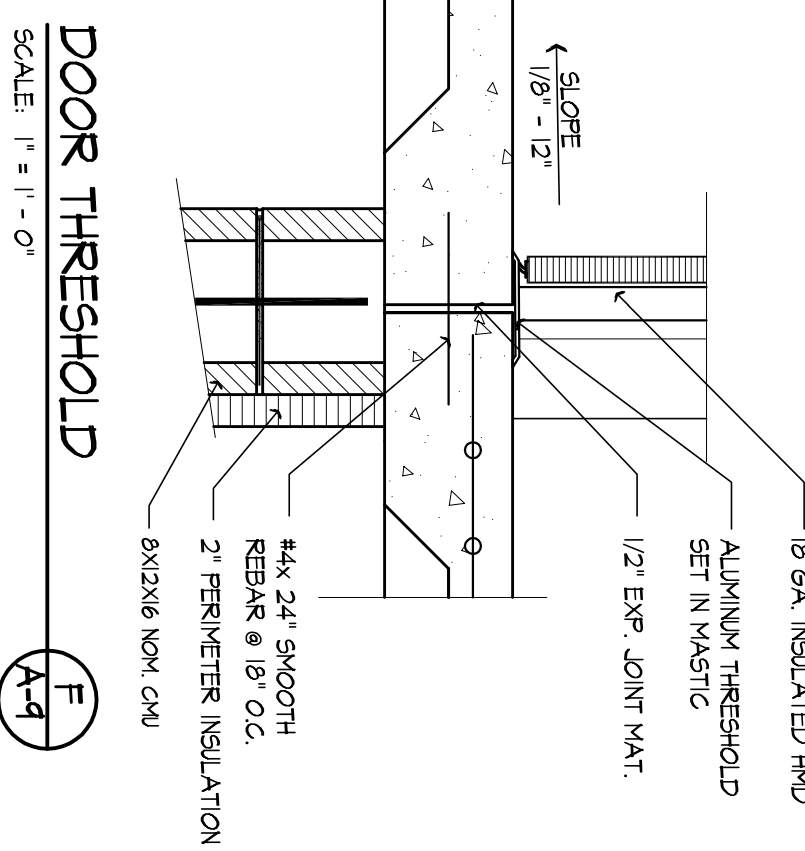
DOOR THRESHOLD
SCALE: 1" = 1'-0"



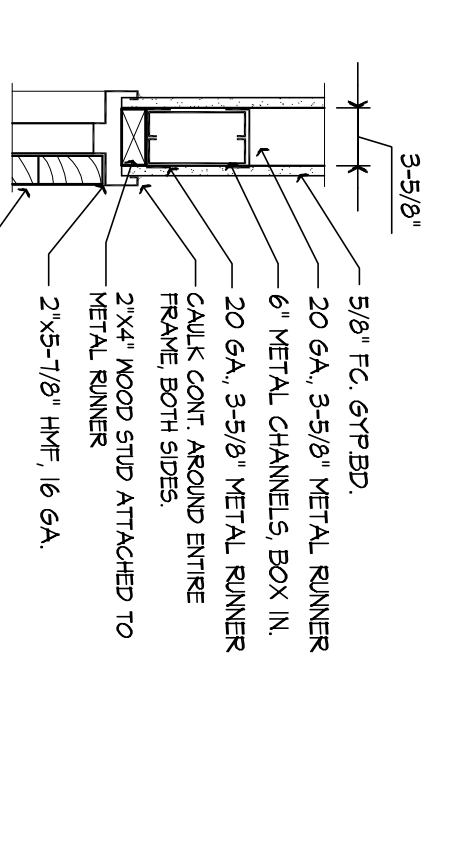
EXTERIOR DOOR HEAD
SCALE: 1" = 1'-0"



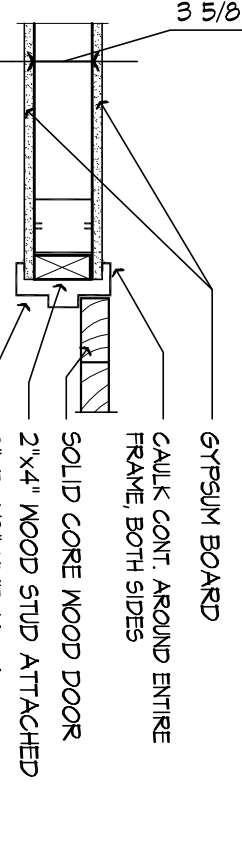
EXTERIOR DOOR JAMB
SCALE: 1" = 1'-0"



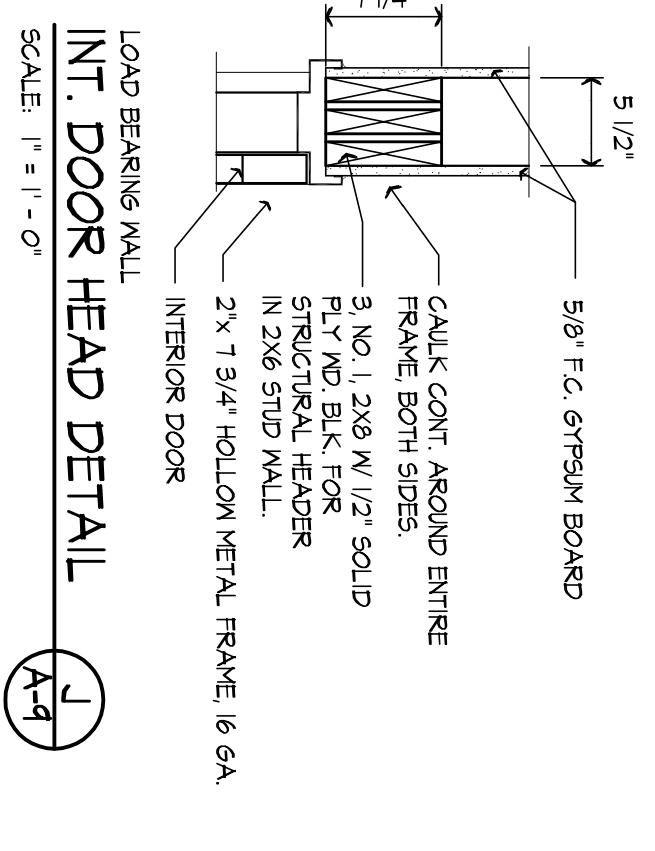
DOOR THRESHOLD
SCALE: 1" = 1'-0"



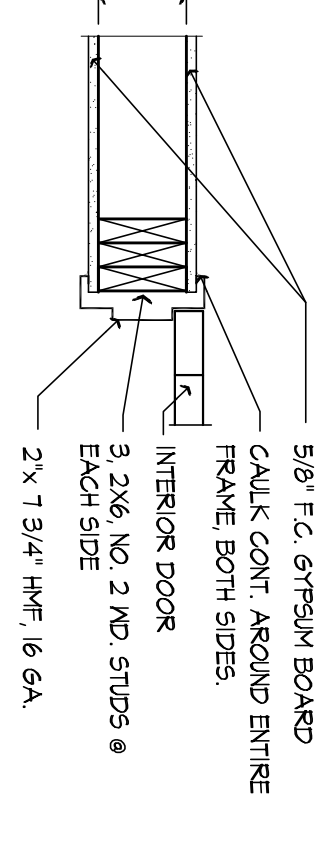
INTERIOR DOOR HEAD
SCALE: 1" = 1'-0"



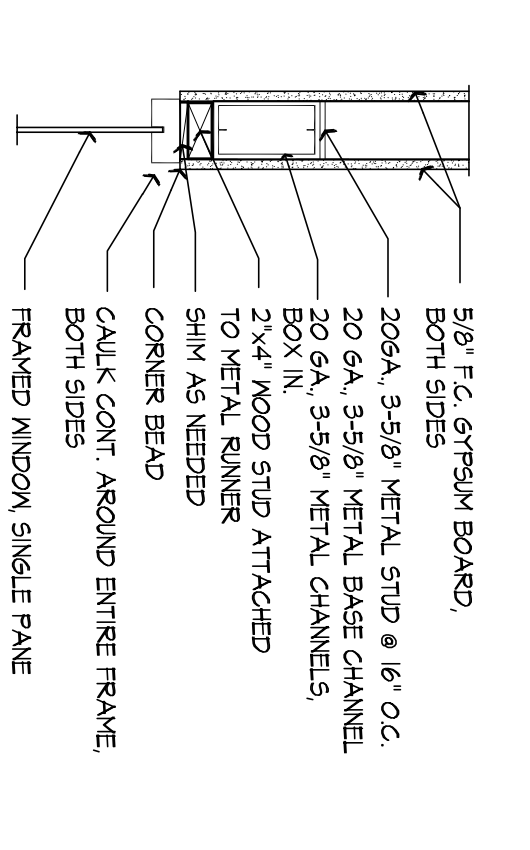
INTERIOR DOOR JAMB
SCALE: 1" = 1'-0"



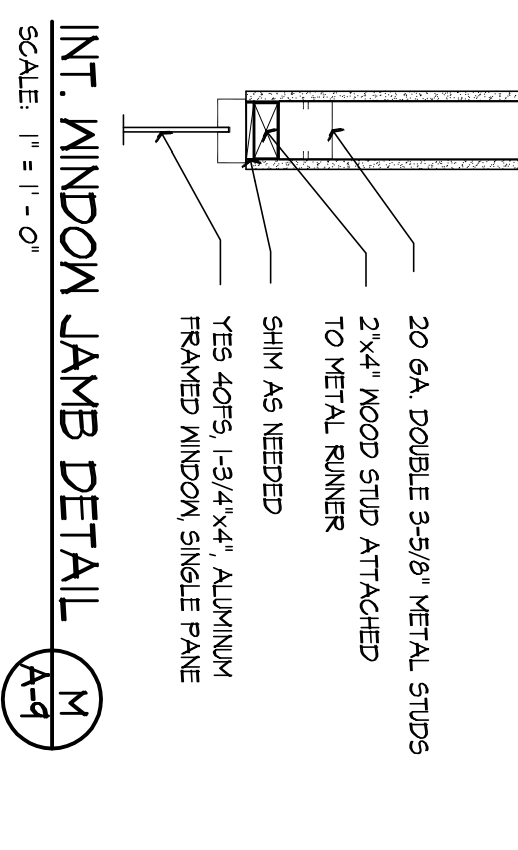
INT. DOOR HEAD DETAIL
SCALE: 1" = 1'-0"



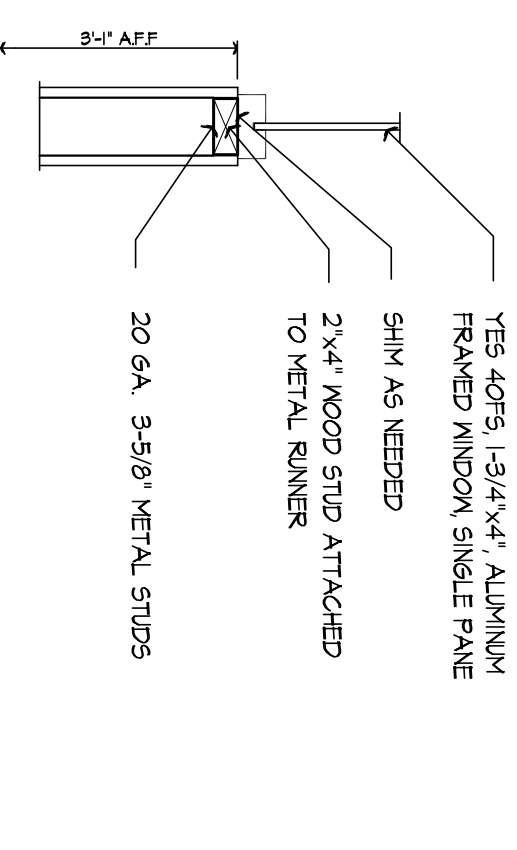
LOAD BEARING WALL
INT. DOOR JAMB DETAIL
SCALE: 1" = 1'-0"



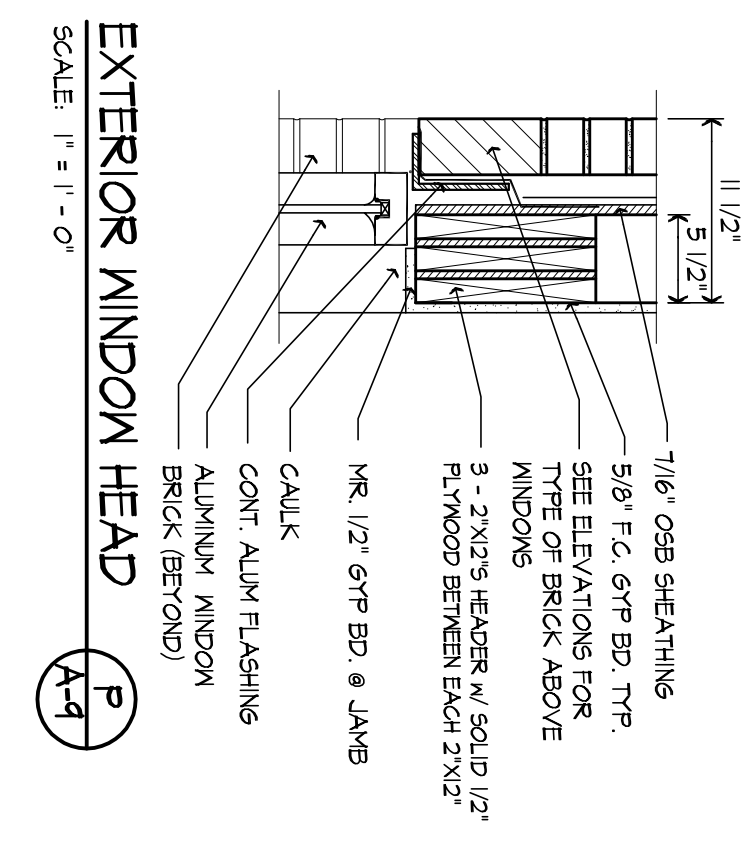
INT. WINDOW HEAD DETAIL
SCALE: 1" = 1'-0"



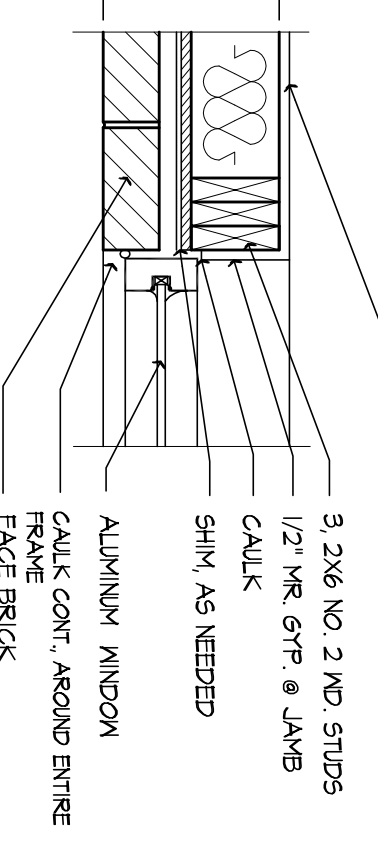
INT. WINDOW JAMB DETAIL
SCALE: 1" = 1'-0"



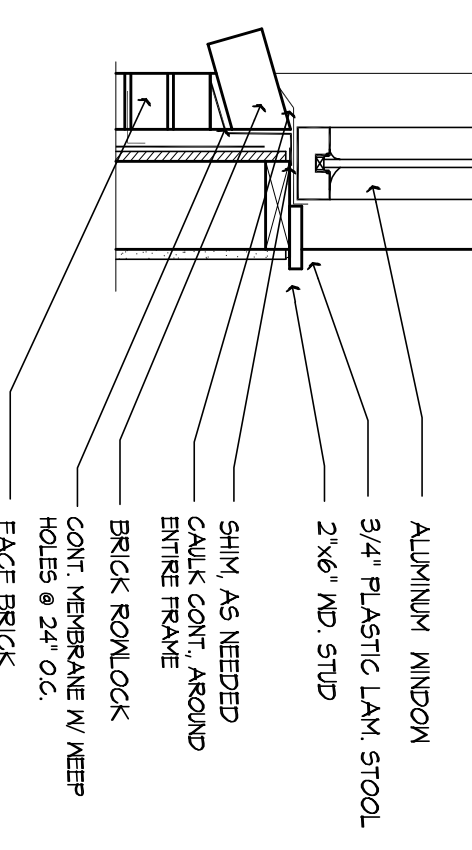
INT. WINDOW SILL DETAIL
SCALE: 1" = 1'-0"



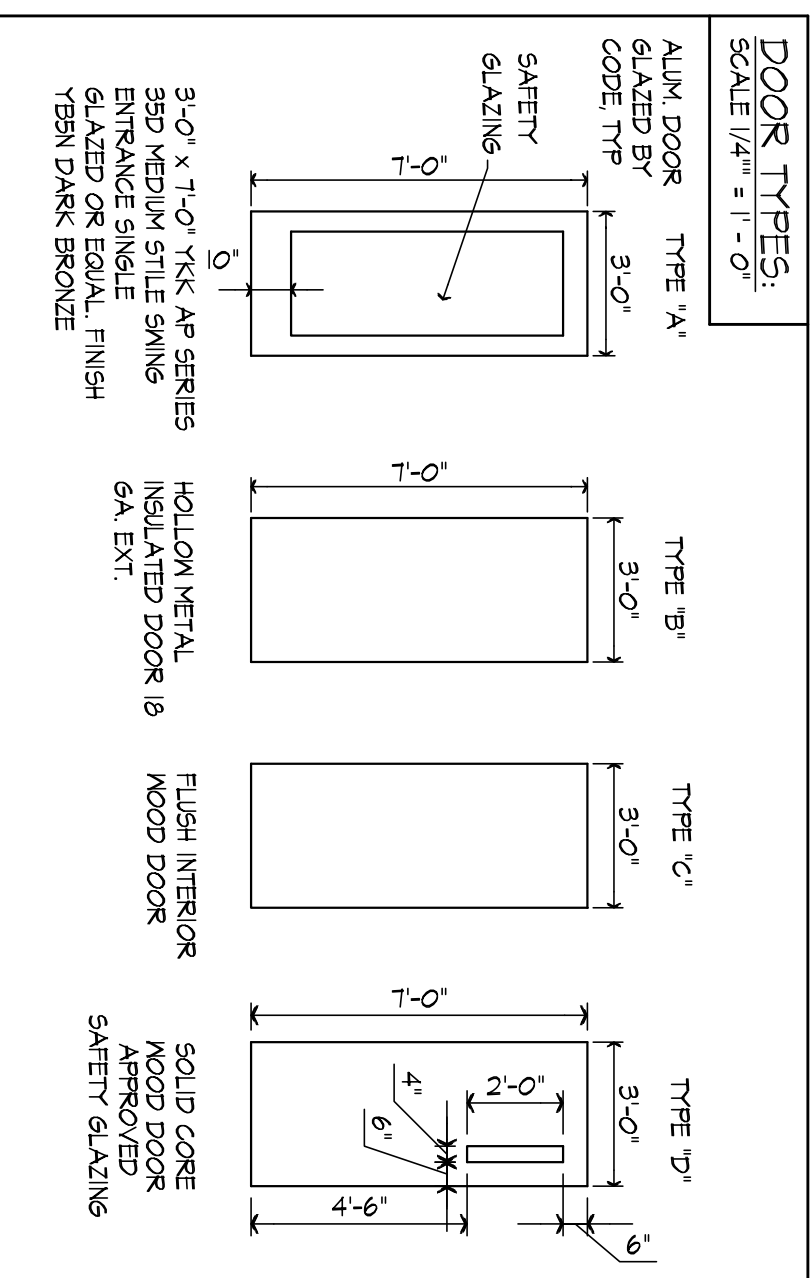
EXTERIOR WINDOW HEAD
SCALE: 1" = 1'-0"



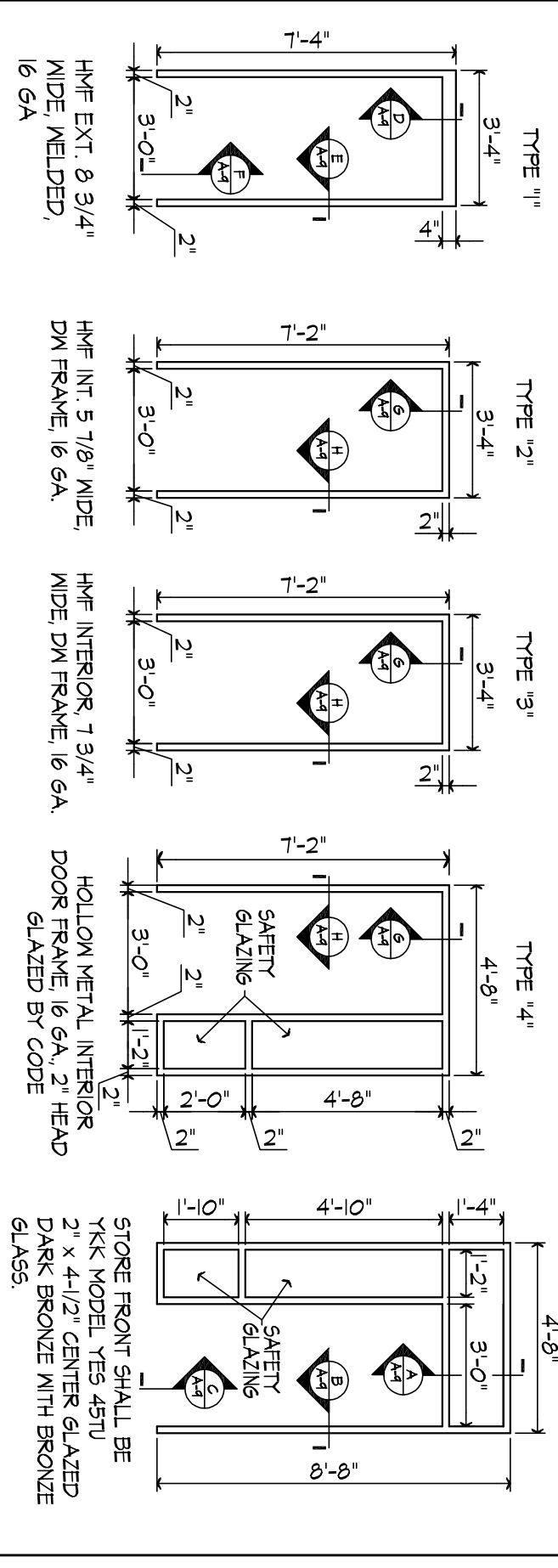
EXTERIOR WINDOW JAMB
SCALE: 1" = 1'-0"



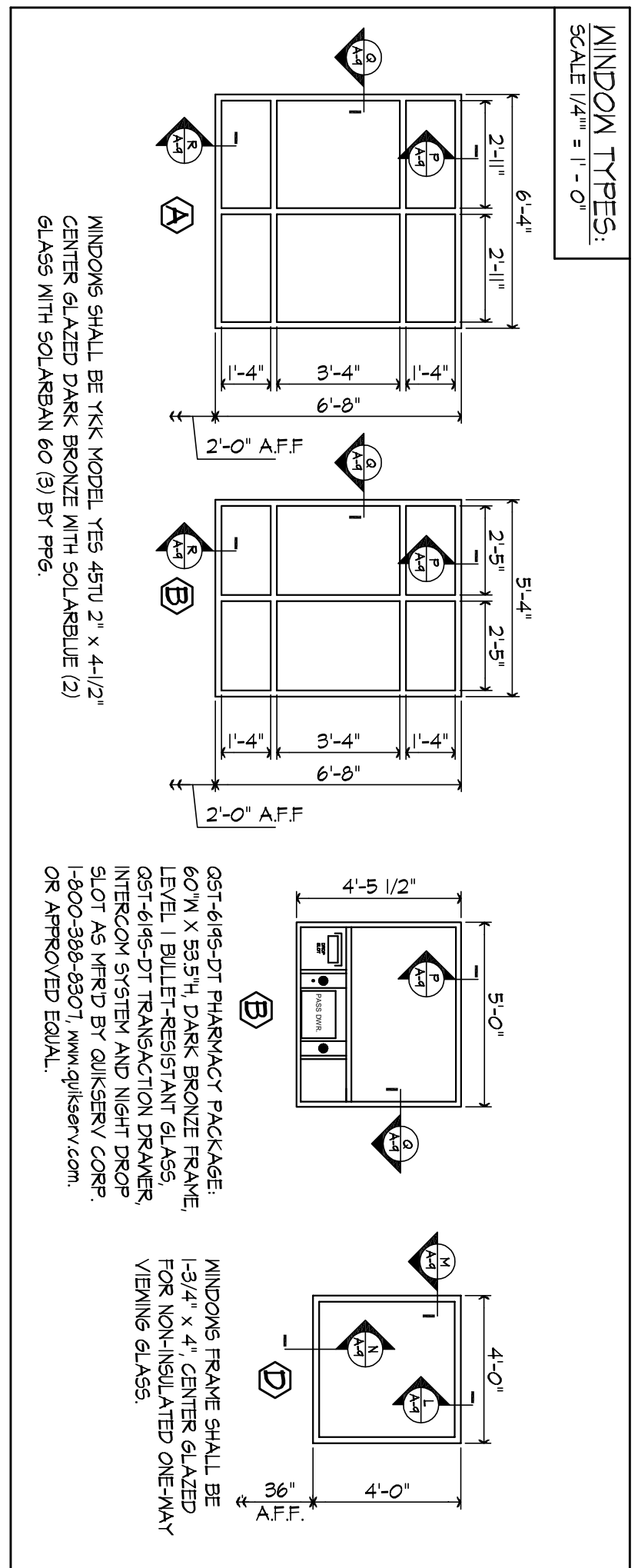
EXTERIOR WINDOW SILL
SCALE: 1" = 1'-0"



DOOR TYPES
SCALE: 1/4" = 1'-0"



DOOR FRAMES
SCALE: 1/4" = 1'-0"



WINDOW TYPES
SCALE: 1/4" = 1'-0"

CITY OF STANTON
CITY HALL & POLICE STATION
STANTON, KENTUCKY

PROJECT NO.	DESIGNED BY	DRAWN BY	CHECKED BY	REVIEWED BY	DATE	SCALE
4065-09	MSF	MSF			NOV. 2014	AS NOTED

MS&E Engineers Architects Planners
OF KENTUCKY, INC.
624 Wellington Way Lexington, KY 40503
Phone: (859)223-5694 Fax: (859)223-2607
www.msxelex.com